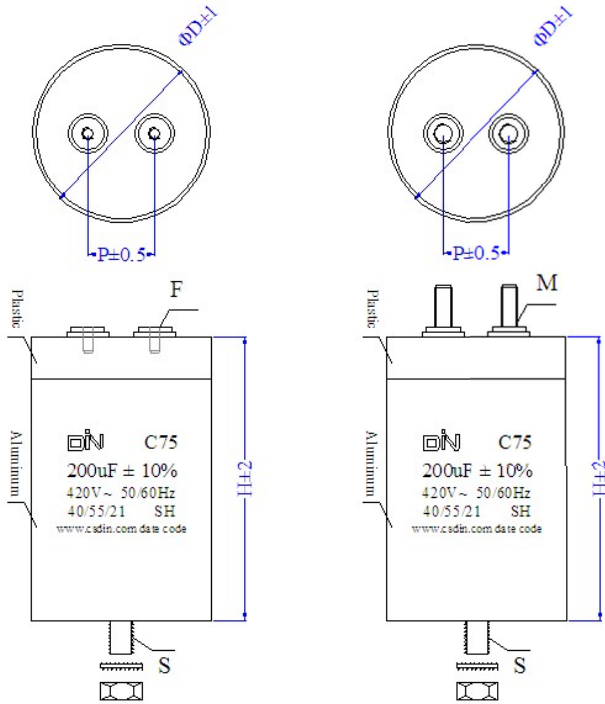


# C75 系列 SERIES

## ■ 外形图 Outline Drawing



ΦD (mm)	P (mm)	F	M	S
50	22	M6×10	M8×20	M8×10
55	22	M6×10	M8×20	M10×12
76	32	M6×10	M8×20	M12×16
86	32	M6×10	M8×20	M12×16

## ■ 特点

- 高纹波电流，高 dv/dt 承受能力
- 耐压高，具有自愈性
- 高稳定性，可靠性
- 容量大，体积小

## ■ 主要用途

- 适用于电力电子设备、UPS电源中的交流滤波电路，能承受较高的纹波电流及峰值电流、电压

## ■ Features

- High ripple current, high dv/dt withstand capability
- Resistance to high voltage, with self-healing
- Excellent stable performance and reliability
- Large capacity, small size

## ■ Typical application

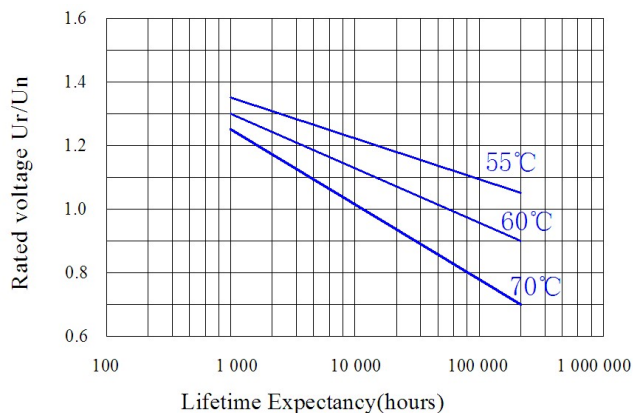
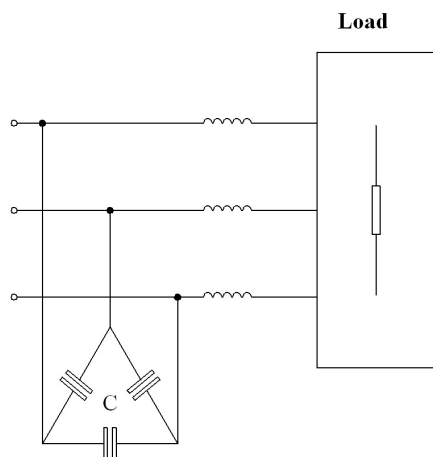
- The capacitors particularly suit for AC filter circuit in power electric equipment and UPS power unit. They have ability to withstand high r.m.s current and high peak voltage

■ 技术参数 Technical Specifications

项目 Items	性能要求 Characteristics
引用标准/Reference standards	GB/T 17702 IEC 61071
容量范围/Capacitance	20 $\mu$ F ~500 $\mu$ F
额定电压/Rated Voltage	420V.AC,700V.AC 50/60HZ
额定均方根电压/Rated RMS Voltage(Urms)	300V.AC,500V.AC
容量偏差/Tolerance	$\pm 5\%$ $\pm 10\%$
损耗角正切/Dissipation factor	$\text{tg}\delta \leq 20 \times 10^{-4}$ at 25 $^{\circ}$ C $\pm 5^{\circ}$ C,100Hz
绝缘电阻/Insulation resistance	$C \cdot R \geq 5000\text{S}$ ,at 100V.DC,25 $^{\circ}$ C $\pm 5^{\circ}$ C,60s
工作温度范围/Operating temperature range	-40 $^{\circ}$ C ~85 $^{\circ}$ C
极间耐电压/Test voltage between terminals	1.5Un (10S,25 $^{\circ}$ C $\pm 5^{\circ}$ C)
极壳耐电压/Test voltage between terminals and case	3000V.AC(10S,50/60Hz,25 $^{\circ}$ C $\pm 5^{\circ}$ C)
最大安装扭矩/ Max. Torque of Installation	M8:5.0Nm M10:7.0Nm M12:10.0Nm
最大电极扭矩/Max. Torque of terminals	M6:3.0Nm M8:5.0Nm M10:8.0Nm
最高使用海拔/Max Altitude	2000m
预期寿命/Expected lifetime	$ \Delta C/C  \leq 5\%$ after 60 000hrs under rated conditions @ 50 $^{\circ}$ C

■ 典型线路/Typical circuit

■ 预期寿命曲线/ Expected lifetime curve



■ 产品编码说明/Part number code system

▲ 18 位产品代码如下:

▲ The 18 digits part number is formed as follow:

C	7	5															
1	2	3	4	5	6	7	8	9	10	11	12	13	14	15	16	17	18

1~3 位: 型号代码

Digit 1~3: Series code

4~6 位: 标称容量

Digit 4~6: Rated capacitance value

如: 104=10×10<sup>4</sup>PF=0.1uF

Example: 104=10×10<sup>4</sup>PF=0.1uF

7~10 位: 内部特征码

Digit 7~10: Internal use

11 位: 容量偏差

Digit 11: Capacitance tolerance

J=±5%、K=±10%、M=±20%

J=±5%、K=±10%、M=±20%

12~13 位: 额定均方根电压

Digit 12~13: Rated RMS voltage

S2=300VAC、Y2=500VAC

S2=300VAC、Y2=500VAC

14~17 位: 外形尺寸代码

Digit 14~17: Dimension code

14位 Digit 14		15位 Digit 15		16位 Digit 16		17位 Digit 17	
代码 Code	直径 Diameter	代码 Code	高度 Height	代码 Code	脚距 Pitch	代码 Code	引出端规格 Specifications of terminals
5	50	8	85	G	22.0 mm	B	螺母M6*15*10
6	55	A	100	I	32.0 mm	C	螺母M8*15*10
7	76	B	130			E	螺杆M6*15*20
8	86	C	135			F	螺杆M8*15*20
		D	140				
		F	185				
		G	235				

18 位: 安装形式

Digit18: Fix style

F=平底 S=M12\*16 螺杆 T=M16\*25 螺杆

F=Flat S=M12\*16Male T=M16\*25Male

■ 标准品一览表 Standard size

静电容量 Cap(uF)	Outline size (mm)		Rs (mΩ)	R <sub>th</sub> (°C/W)	I <sub>max</sub> (A)	Ī (KA)	Î <sub>s</sub> (KA)	Weight (kg)	Part number
	ΦD	H							
Urms: 300V. AC, Un=420V. AC									
20	50	85	22.0	14.2	8	0.1	0.2	0.2	C75206****□S258-*○
40	“	100	17.3	10.4	11	0.2	0.4	“	C75406****□S25A-*○
50	55	“	13.8	9.6	“	0.2	0.5	0.3	C75506****□S26A-*○
60	“	136	24.8	8.3	“	0.3	0.6	“	C75606****□S26C-*○
100	76	140	9.7	6.2	14	1.0	3	0.9	C75107****□S27D-*○
200	“	“	4.8	6.3	28	2.0	6	“	C75207****□S27D-*○
200	“	“	4.8	6.3	28	2.0	6	“	C75207****□S27D-*○
200	“	235	4.9	3.7	42	6.0	18	1.4	C75207****□S27G-*○
Urms: 500V. AC, Un=700V. AC									
10	50	85	16.0	14.0	9	0.2	0.5	0.2	C75106****□Y258-*○
20	“	100	13.0	10.2	12	0.3	0.7	“	C75206****□Y25A-*○
30	55	136	16.0	7.4	13	0.5	0.7	0.4	C75306****□Y26C-*○
50	76	130	9.6	6.7	18	0.8	1.2	0.8	C75506****□Y27B-*○
80	“	185	3.4	4.5	37	1.3	3.8	1.1	C75806****□Y27F-*○
100	“	235	9.5	3.7	35	4.0	12	1.4	C75107****□Y27G-*○
133	86	“	7.2	3.4	47	5.3	15.9	1.8	C75137****□Y28G-*○
150	“	“	6.4	3.2	53	6.0	18	1.7	C75157****□Y28G-*○

- ◇ 备注：特殊需要可根据客户要求另行设计
- ◇ Note: Special requirements can be designed according to customer requirements
- ◇ 1.“\*\*\*\*”表示内部特征码；“\*\*\*\*”=Internal use
- ◇ 2.“□”表示容量偏差；“□”= Capacitance tolerance
- ◇ 3.“—”表示脚距；”—”= Pitch
- ◇ 4.“\*”表示引出端型体；“\*”= Specifications of terminals
- ◇ 5.“○”表示安装形式；“○”= Fix style