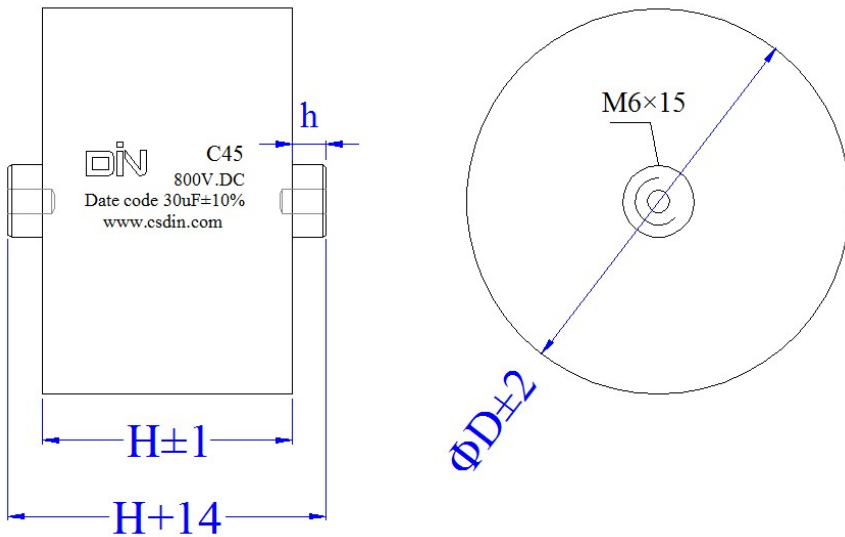


C45 系列 SERIES

■ 外形图 Outline Drawing



■ 特点

- 迈拉胶带封装，环氧树脂灌封
- 高脉冲电流，高 dv/dt 承受能力
- 等效串联电阻小，自感小
- 高频大电流承受能力

■ 主要用途

- 高性能直流滤波或DC-Link应用场合(如：变频器、工业和高端电源、太阳能逆变器等)

■ Features

- Mylar tape package, Sealed with epoxy resin
- High pulse Current, High dv/dt
- Low ESR&Low ESL
- High-frequency current capacity

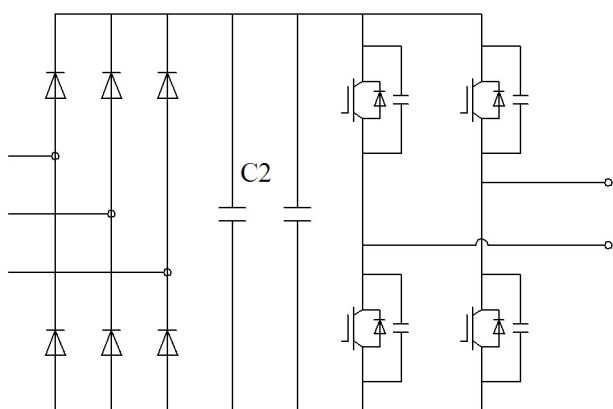
■ Typical application

- DC-Link and coupling/filtering for Inverter, Industrial and high-end power supplies and Solar inverters

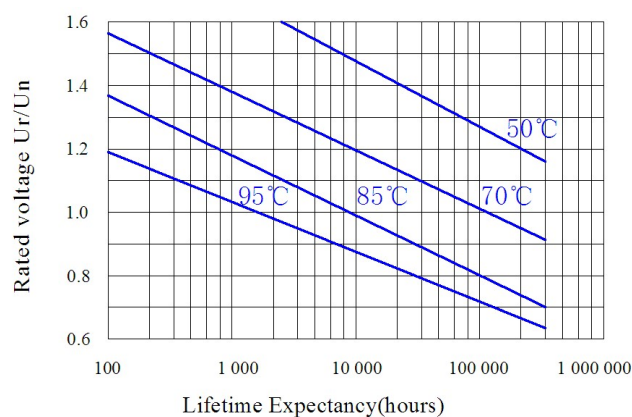
■ 技术参数 Technical Specifications

项目 Items	性能要求 Characteristics	
引用标准/Reference standards	GB/T 17702 IEC 61071	
容量范围/Capacitance	10 μ F ~100 μ F	
额定电压/Rated Voltage	350V.DC~1100V.DC	
容量偏差/Tolerance	$\pm 5\%$ $\pm 10\%$	
损耗角正切/Dissipation factor	$\text{tg}\delta \leq 20 \times 10^{-4}$ at 25 $^{\circ}$ C $\pm 5^{\circ}$ C,100Hz	
绝缘电阻/Insulation resistance	C·R ≥ 5000 S,at 100V.DC,25 $^{\circ}$ C $\pm 5^{\circ}$ C,60s	
工作温度范围/Operating temperature range	-40 $^{\circ}$ C ~85 $^{\circ}$ C	
极间耐电压/Test voltage between terminals	1.5Un (10S,25 $^{\circ}$ C $\pm 5^{\circ}$ C)	
极壳耐电压/Test voltage between terminals and case	3000V.AC(10S,50/60Hz,25 $^{\circ}$ C $\pm 5^{\circ}$ C)	
过电压/Over voltage	1.1 Un	30% of the service period
	1.15 Un	30 min/day
	1.2 Un	5 min/day
	1.3 Un	1 min/day
	1.5 Un	100ms no more than 1000 times
最大安装扭矩/ Max. Torque of Installation	3.0Nm	
最大电极扭矩/Max. Torque of terminals	M6:3.5Nm	M8:6.0Nm
最高使用海拔/Max Altitude	2000m	
预期寿命/Expected lifetime	100 000hrs @ Un,0hs=70 $^{\circ}$ C	
失效率/Failure rate	100FIT	

■ 典型线路/Typical circuit



■ 预期寿命曲线/ Expected lifetime curve



■ 产品编码说明/Part number code system

▲ 18 位产品代码如下:

▲ The 18 digits part number is formed as follow:

C	4	5															
1	2	3	4	5	6	7	8	9	10	11	12	13	14	15	16	17	18

1~3 位: 型号代码

Digit 1~3: Series code

4~6 位: 标称容量

Digit 4~6: Rated capacitance value

如: 104=10×10⁴PF=0.1uF

Example: 104=10×10⁴PF=0.1uF

7~10 位: 内部特征码

Digit 7~10: Internal use

11 位: 容量偏差

Digit 11: Capacitance tolerance

J=±5%、K=±10%、M=±20%

J=±5%、K=±10%、M=±20%

12~13 位: 额定电压

Digit 12~13: Rated voltage

24=600V、28=800V、20=900V

24=600V、28=800V、20=900V

3B=1100V、3E=1300V、3F=1400V

3B=1100V、3E=1300V、3F=1400V

3G=1500V

3G=1500V

14~15 位: 外形尺寸代码

Digit 14~15: Dimension code

14位 Digit 14		15位 Digit 15	
代码 Code	胶带宽 Tape width	代码 Code	引出端规格 Specifications of terminal
E	40mm	B	螺母M6*15*10
G	50mm	C	螺母M8*15*10
I	60mm		

16~17位: h高度

70=7.0mm 75=7.5mm ...

16~17位: Height for h

70=7.0mm 75=7.5mm ...

18 位: 安装形式

Digit18: Fix style

代码 Code	N	B	C
支架 Bracket	无支架	Φ15*49	Φ15*58

■ 标准品一览表 Standard size

静电容量 Cap(uF)	Outline size (mm)		ESR @1KHZ (mΩ)	Ls (nH)	İ (A)	Irms @40°C/10KHZ (A)	Part number
	ΦD (mm)	H (mm)					
Un: 350V.DC							
20	38	40	3.3	25	1200	30	C45206****□2UE*70○
30	45	“	3.2	“	1800	40	C45306****□2UE*70○
30	38	50	“	“	1500	30	C45306****□2UG*70○
40	45	“	3.0	“	2000	35	C45406****□2UG*70○
50	49	“	“	“	2500	40	C45506****□2UG*70○
60	54	“	“	“	3000	45	C45606****□2UG*70○
70	58	“	“	“	3500	50	C45706****□2UG*70○
80	55	60	“	“	3200	50	C45806****□2UI*70○
100	61	“	2.9	“	4000	55	C45107****□2UI*70○
Un: 700V.DC							
20	38	40	3.3	25	1200	30	C45206****□26E*70○
30	45	“	3.2	“	1800	40	C45306****□26E*70○
30	38	50	“	“	1500	30	C45306****□26G*70○
40	45	“	3.0	“	2000	35	C45406****□26G*70○
50	49	“	“	“	2500	40	C45506****□26G*70○
60	54	“	“	“	3000	45	C45606****□26G*70○
70	58	“	“	“	3500	50	C45706****□26G*70○
80	55	60	“	“	3200	50	C45806****□26I*70○
100	61	“	2.9	“	4000	55	C45107****□26I*70○
Un: 800V.DC							
20	44	40	2.9	25	1200	40	C45206****□28E*70○
30	54	“	2.7	“	2400	45	C45306****□28E*70○
30	45	50	2.6	“	1800	40	C45306****□28G*70○
30	40	60	2.8	“	1500	35	C45306****□28I*70○
40	62	40	2.5	“	3200	55	C45406****□28E*70○
40	52	50	2.7	“	2400	45	C45406****□28G*70○
40	46	60	3.2	“	2400	40	C45406****□28I*70○
50	69	40	2.1	“	4000	60	C45506****□28E*70○
50	59	50	2.4	“	3000	50	C45506****□28G*70○
50	52	60	2.5	“	3000	45	C45506****□28I*70○
60	64	50	2.3	“	3600	55	C45606****□28G*70○
60	56	60	2.4	“	3600	50	C45606****□28I*70○
70	70	50	2.0	“	4200	60	C45706****□28G*70○
70	62	60	2.2	“	4200	55	C45706****□28I*70○
80	73	50	2.1	“	4800	60	C45806****□28G*70○
80	65	60	2.5	“	4800	60	C45806****□28I*70○
100	82	50	1.8	“	6000	75	C45107****□28G*70○
100	72	60	2.2	“	5000	65	C45107****□28I*70○

◇ 备注：特殊需要可根据客户要求另行设计

◇ Note: Special requirements can be designed according to customer requirements

■ 标准品一览表 Standard size

静电容量 Cap(uF)	Outline size (mm)		ESR @1KHZ (mΩ)	Ls (nH)	Î (A)	I _{rms} @40°C/10KHZ (A)	Part number
	ΦD (mm)	H (mm)					
Un: 1100V.DC							
10	42	40	3.4	25	600	35	C45106****□3BE*70○
20	50	50	3.1	“	1200	40	C45206****□3BG*70○
20	65	40	3.0	“	“	60	C45206****□3BE*70○
30	60	50	3.1	“	1800	55	C45306****□3BG*70○
40	69	“	2.7	“	2400	60	C45406****□3BG*70○
40	61	60	2.9	“	2000	55	C45406****□3BI*70○
50	68	“	2.6	“	2500	60	C45506****□3BI*70○
60	75	“	2.2	“	3000	70	C45606****□3BI*70○
70	81	“	1.9	“	3500	“	C45706****□3BI*70○
80	86	“	1.6	“	4000	75	C45806****□3BI*70○

◇ 备注：特殊需要可根据客户要求另行设计

◇ Note: Special requirements can be designed according to customer requirements

◇ 1.“****”表示内部特征码；“****”=Internal use

◇ 2.“□”表示容量偏差；“□”= Capacitance tolerance

◇ 3.“*”表示引出端型体；“*”= Specifications of terminals

◇ 4.“○”表示安装形式；“○”= Fix style