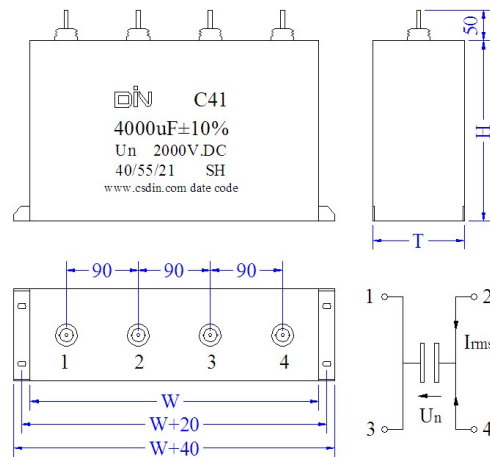
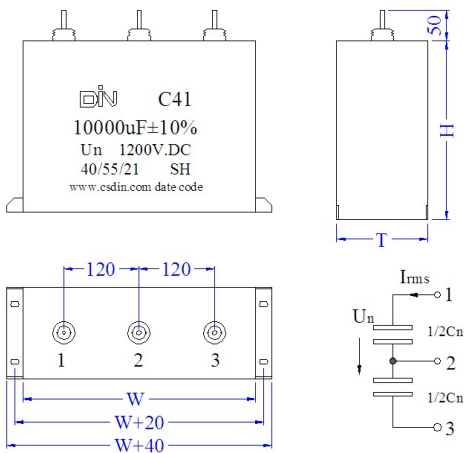
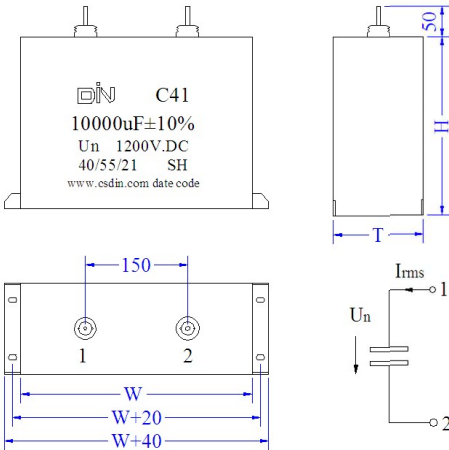


# C41 系列 SERIES

## 外形图 Outline Drawing



## 特点

- 不锈钢外壳，阻燃树脂灌封
- 金属化聚丙烯薄膜无感式卷绕
- 有自愈性，等效电阻小，自感小
- 能承受较高的纹波电流

## 主要用途

- SVG
- 变速传动（驱动、牵引）
- 风能变流器
- 光伏发电逆变器

## Features

- Stainless steel case, epoxy resin sealing
- Non-inductive winding with metalized polypropylene film
- Self-healing property, Low ESL&Low Ls
- High rms current capability

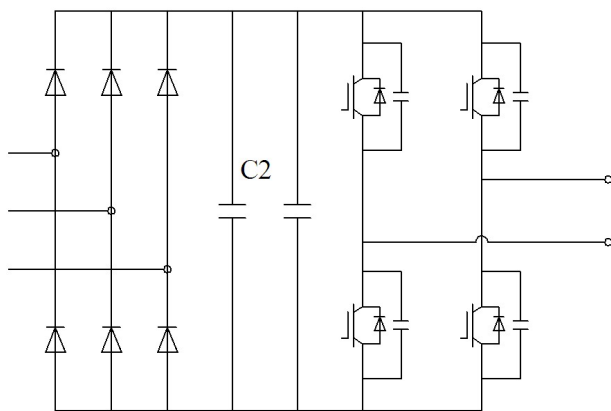
## Typical application

- SVG
- Speed inverter(drives and traction)
- Wind power converter
- Photovoltaic power inverter

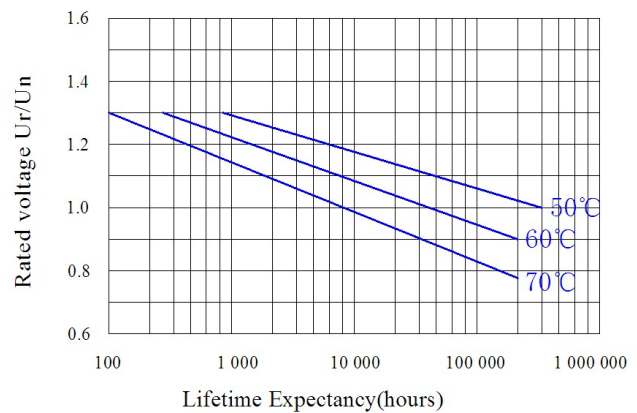
■ **技术参数/Technical Specifications**

项目 Items	性能要求 Characteristics		
引用标准/Reference standards	GB/T 17702 IEC 61071		
容量范围/Capacitance	800 $\mu$ F ~20000 $\mu$ F		
额定电压/Rated Voltage	2000V.DC~6000V.DC		
容量偏差/Tolerance	$\pm 5\%$ $\pm 10\%$		
损耗角正切/Dissipation factor	$\text{tg}\delta \leq 20 \times 10^{-4}$ at 25 $^{\circ}$ C $\pm 5^{\circ}$ C,100Hz		
绝缘电阻/Insulation resistance	$C \cdot R \geq 5000\text{S}$ ,at 100V.DC,25 $^{\circ}$ C $\pm 5^{\circ}$ C,60s		
工作温度范围/Operating temperature range( $\theta_{\text{case}}$ )	-40 $^{\circ}$ C~70 $^{\circ}$ C		
极间耐电压/Test voltage between terminals	1.5Un (10S,25 $^{\circ}$ C $\pm 5^{\circ}$ C)		
极壳耐电压/Test voltage between terminals and case	$(\sqrt{2} \text{Un} + 1000)\text{V.AC}$ (10S,50/60Hz,25 $^{\circ}$ C $\pm 5^{\circ}$ C)		
绝缘电压/Insulation voltage (Ui)	Un/ $\sqrt{2}$ V.AC		
过电压/Over voltage	1.1 Un	30% of the service period	
	1.15 Un	30 min/day	
	1.2 Un	5 min/day	
	1.3 Un	1min/day	
	1.5 Un	100ms no more than 1000 times	
电极端子/Terminals	Thread hole M8*24	Thread hole M10*24	Thread hole M12*30
最大电极扭矩/Max. Torque of terminals	6Nm	8Nm	12Nm
最高使用海拔/Max Altitude	2000m		
预期寿命/Expected lifetime	100 000hrs @ Un, $\theta_{\text{hs}}=70^{\circ}$ C		
失效率/Failure rate	100FIT		

■ **典型线路/Typical circuit**



■ **预期寿命曲线/ Expected lifetime curve**



■ 产品编码说明/Part number code system

▲ 18位产品代码如下:

▲ The 18 digits part number is formed as follow:

C	4	1															
1	2	3	4	5	6	7	8	9	10	11	12	13	14	15	16	17	18

1~3位: 型号代码

Digit 1~3: Series code

4~6位: 标称容量

Digit 4~6: Rated capacitance value

如: 104=10×10<sup>4</sup>PF=0.1uF

Example: 104=10×10<sup>4</sup>PF=0.1uF

7~10位: 内部特征码

Digit 7~10: Internal use

11位: 容量偏差

Digit 11: Capacitance tolerance

J=±5%、K=±10%、M=±20%

J=±5%、K=±10%、M=±20%

12~13位: 额定电压

Digit 12~13: Rated voltage

28=800V、3C=1200V

28=800V、3C=1200V

3G=1500V、3K=2000V、3S=3000

3G=1500V、3K=2000V、3S=3000

14位: 型体

Digit 14: Electrode

A=单芯、B=双芯

A= A capacitors、B=B capacitors

15~17位: 引出端代码

Digit 15~17: Terminal code

15位 Digit 15		16位 Digit 16		17位 Digit 17	
代码 Code	引出端规格 Specifications of terminals	代码 Code	引出端数量 Number of terminals	代码 Code	脚距 Pitch
B	螺母M6*15*10	2	2	8	80mm
C	螺母M8*15*10	3	3	9	90mm
E	螺杆M6*15*20	4	4	A	120mm
F	螺杆M8*15*20	...	...	B	150mm
G	螺杆M12*15*20				

18位: 外壳材质

Digit 18: Shell material

S=不锈钢外壳、I=铁外壳

S= Stainless steel、I= Iron

■ 标准品一览表 Standard size

静电容量 Cap(uF)	Outline size (mm)			İ (KA)	Irms (A)	ESR (mΩ)	Rth (K/W)	Weight (Kg)	Part number
	W±2	H±2	T±2						
Un: 800V.DC									
4000	340	190	125	20.0	120	1.1	0.9	17.6	C41408****□28A*△—S
5500	“	245	“	27.5	150	0.95	0.7	22.4	C41558****□28A*△—S
8000	“	350	“	32.0	180	0.72	0.6	31.2	C41808****□28A*△—S
10000	“	465	“	30.0	200	0.6	“	40.8	C41109****□28A*△—S
6000	420	245	“	“	150	0.95	0.7	26.4	C41608****□28A*△—S
10000	“	360	“	40.0	200	0.72	0.5	39.2	C41109****□28A*△—S
16000	“	560	“	48.0	250	0.55	0.4	59.2	C41169****□28A*△—S
12000	“	245	235	“	250	0.9	0.3	49.6	C41129****□28A*△—S
20000	“	360	“	60.0	300	0.6	“	73.6	C41209****□28A*△—S
Un: 1200V.DC									
2500	340	190	125	20.0	120	1.1	0.9	17.6	C41258****□3CA*△—S
3300	“	245	“	26.4	150	0.95	0.7	22.4	C41338****□3CA*△—S
4200	“	300	“	29.4	150	0.8	0.8	28	C41428****□3CA*△—S
5000	“	300	“	35.0	180	0.8	0.6	32.8	C41508****□3CA*△—S
7500	“	430	“	41.3	200	0.66	“	44.8	C41758****□3CA*△—S
5000	“	190	235	40.0	200	1.1	0.3	32.8	C41508****□3CA*△—S
6800	“	245	“	47.6	200	0.95	0.4	41.6	C41688****□3CA*△—S
8500	“	300	“	59.5	250	0.85	0.3	52	C41858****□3CA*△—S
10000	“	350	“	60.0	250	0.8	“	58.4	C41109****□3CA*△—S
12000	“	420	“	66.0	250	0.7	“	70.4	C41129****□3CA*△—S
5000	420	175	“	40.0	250	1	0.4	36	C41508****□3CA*△—S
7500	“	245	“	52.5	250	0.9	0.3	49.6	C41758****□3CA*△—S
10000	“	300	“	70.0	250	0.8	“	61.6	C41109****□3CA*△—S
12000	“	360	“	72.0	280	0.7	“	73.6	C41129****□3CA*△—S
15000	“	430	“	75.0	300	0.6	“	84	C41159****□3CA*△—S
Un: 1500V.DC									
1200	340	190	125	12.0	120	1.1	0.9	17.6	C41128****□3GA*△—S
2500	“	350	“	20.0	180	0.72	0.6	31.2	C41258****□3GA*△—S
3000	“	420	“	24.0	“	0.66	0.7	37.6	C41308****□3GA*△—S
2000	“	245	“	20.0	150	0.95	“	26.4	C41208****□3GA*△—S
3300	“	360	“	26.4	200	0.72	0.5	39.2	C41338****□3GA*△—S
4000	“	430	“	32.0	“	0.66	0.6	44.8	C41408****□3GA*△—S
2500	“	190	235	25.0	“	1.1	0.3	32.8	C41258****□3GA*△—S
5000	“	350	“	40.0	250	0.8	“	58.4	C41508****□3GA*△—S
4000	420	245	“	“	“	0.9	“	49.6	C41408****□3GA*△—S
5200	“	300	“	46.8	“	0.8	“	61.6	C41528****□3GA*△—S
6600	“	360	“	52.8	280	0.7	“	73.6	C41668****□3GA*△—S
8000	“	430	“	64.0	300	0.6	“	84	C41808****□3GA*△—S

◇ 备注：特殊需要可根据客户要求另行设计

◇ Note: Special requirements can be designed according to customer requirements

■ 标准品一览表 Standard size

静电容量 Cap(uF)	Outline size (mm)			î (KA)	Irms (A)	ESR (mΩ)	Rth (K/W)	Weight (Kg)	Part number
	W±2	H±2	T±2						
Un: 2000V.DC									
800	340	190	125	9.6	120	1.1	0.9	17.6	C41807****□3KA*△—S
1000	“	245	245	12.0	150	0.95	0.7	22.4	C41108****□3KA*△—S
1500	“	350	125	15.0	180	0.72	0.6	31.2	C41158****□3KA*△—S
1900	“	420	“	17.1	180	0.66	0.7	37.6	C41198****□3KA*△—S
1200	“	245	“	14.4	150	0.95	“	26.4	C41128****□3KA*△—S
2000	“	360	“	20.0	200	0.72	0.5	39.2	C41208****□3KA*△—S
2400	“	430	“	21.6	“	0.66	0.6	44.8	C41248****□3KA*△—S
1600	“	190	235	19.2	“	1.1	0.3	32.8	C41168****□3KA*△—S
3200	“	350	“	32.0	250	0.8	“	46.4	C41328****□3KA*△—S
3500	“	420	“	31.5	“	0.7	“	56	C41358****□3KA*△—S
2400	420	245	“	28.8	“	0.9	“	40	C41248****□3KA*△—S
3200	“	300	“	32.0	“	0.8	“	49.6	C41328****□3KA*△—S
4000	“	360	“	40.0	280	0.7	“	58.4	C41408****□3KA*△—S
4800	“	430	“	43.2	300	0.6	“	67.2	C41488****□3KA*△—S
Un: 3000V.DC									
660	420	175	235	12	7.9	150	1	28.8	C41667****□3SA*△—S
840	“	245	“	“	10.1	“	0.9	40	C41847****□3SA*△—S
1050	“	300	“	10	10.5	200	0.8	49.6	C41108****□3SA*△—S
1250	“	360	“	“	12.5	“	0.7	58.4	C41128****□3SA*△—S

- ◇ 备注：特殊需要可根据客户要求另行设计
- ◇ Note: Special requirements can be designed according to customer requirements
- ◇ 1.“\*\*\*\*”表示内部特征码；“\*\*\*\*”=Internal use
- ◇ 2.“□”表示容量偏差；“□”= Capacitance tolerance
- ◇ 3.“\*”表示引出端型体；“\*”= Specifications of terminals
- ◇ 4.“△”表示端子数量；“△”= Number of terminals
- ◇ 5.“—”表示脚距；“—”= Pitch